

The NATIONAL TIME 902 Series Intelligent Notification Appliance Control Panel meets the increasing demand for signalling circuit power requirements of today's installations. The A902-NACP Series communicates with all National 900 and 902 Series Fire Alarm system on the DigiComm™ addressable loop. The 902 NACP-4 Series has four style Y or Z Notification Appliance Circuits (NACs) rated for a total of 10 Amps. Two 24 VDC (0.5 A) auxiliary power outputs provide extra power for ancillary equipment such as remote annunciators and LAN connections. When used for Speaker/Strobe installations, the 902 NACP series is available with addressable outputs to control audio outputs. The two DigiComm™ loop addresses provide enough information to individually identify over 28 statuses including AC Failure, Bad Battery, individual circuit open/short/over-current, Ground Fault, and more providing remote trouble diagnostic identification of fault conditions by way of the FACP display. Status LEDs are also provided on the front panel for easy fault identification at the NACP. Additionally, a D900-A12L series local annunciator can be added to indicate additional statuses such as audio zone troubles and circuit activation providing first responders and technicians at-a-glance system information.

The 902 NACP is capable of synchronized horn (temporal) and strobe operation directly from the NAC outputs without the need of a synchronization module. Furthermore, these panels provide independent control of horns and strobes on the same pair of wires for audible alarm silence operation.

The 902 Series NACP's innovative chassis/box design concept eases installation effort and provides clear access to all field connections using user friendly terminal blocks.

The 902 NACP-2 version provides 2 output circuits and one 24VDC (0.5A) auxiliary power output.



Capabilities:

4 Notification Appliance Circuits

10 Amps of Notification Appliance Power (4 x 2.5A)

Style Y (Class B) or Style Z (Class A)

Synchronized Control of Horns and Strobes

Silence Horns with Strobes
Operating on a Single Pair of Wires

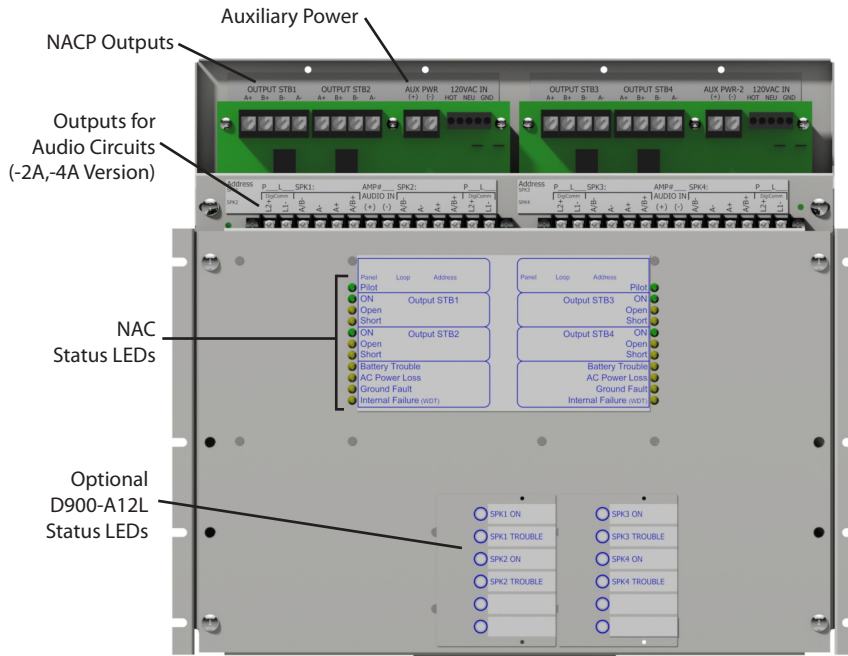
Integrated Addressable Outputs for Audio Zones

All Trouble Indications for each Circuit at Main Panel and Front Panel LEDs

(2) 24 VDC 0.5A Auxiliary Power Outputs

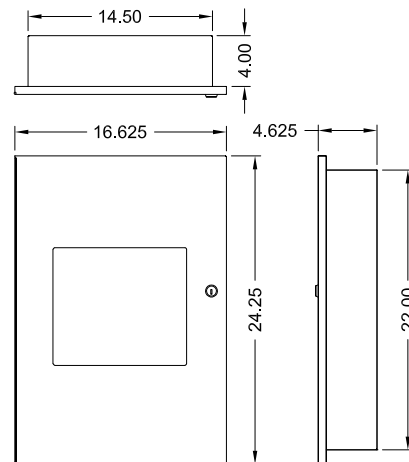
Chassis Design and Easy-Access Terminals Simplify Installation

UL Listed



Specifications

- PRIMARY POWER:** 120VAC @ 50/60Hz (4A max, -4; 2A max, -2)
- BATTERY POWER:** 24 VDC; 5 Ah (Two Sets Required for -4)
- NAC POWER:** 5 or 10 Amps; (4 or 2) 2.5A Outputs; Style Y or Z
- COMMUNICATION:** Digicomm™ Addressable Communication Loop
- AUXILIARY POWER:** (2 or 1) 24VDC @ 0.5A max.
(Not to exceed required battery backup calculation)
- MAX. TEMP. RANGE:** 32° - 120°F (0 - 49°C)
- HUMIDITY:** 85% Non-condensing max.



Ordering Information

Part No.	Description
A902-NACP-2	902 Notification Appliance Control Panel, 2 ckt
A902-NACP-2A	902 Notification Appliance Control Panel, 2 ckt; 2 AV Outputs
A902-NACP-4	902 Notification Appliance Control Panel, 4 ckt
A902-NACP-4A	902 Notification Appliance Control Panel, 2 ckt; 4 AV Outputs

Accessories

Part No.	Description
D900-A12L	900 Series Annunciator , 12 LED zones
B-5.0	5 Ampere Hour - 24 VDC Battery Pack (2 required for -4,-4A)